

T-shaped connecting clamps

Technopolymer

CLAMP

Glass-fibre reinforced polyamide based (PA) technopolymer, RAL 9005 (C9) black colour or grey RAL 7040 (C33) colour, matte finish.

SCREWS AND NUTS (SUPPLIED)

Cylindrical-head screw with hexagon socket in AISI 304 stainless steel with anti-seizure treatment.
Self-locking nuts in AISI 304 stainless steel.

FEATURES

Clamps for tubes with a diameter of 18 ± 0.2 and 30 ± 0.2 mm.
For smaller diameter tubes, the hole reduction sleeve TCC-A can be used (ordered separately).
The "s" grub screws may be replaced by the kit TCC-KS.

TECHNICAL DATA

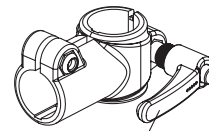
The resistance values shown in the table were measured during laboratory tests at ambient temperature with the screws tightened to the maximum torque "C#".

ACCESSORIES ON REQUEST (TO BE ORDERED SEPARATELY)

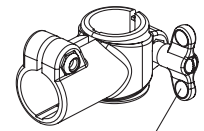
- TCC-A (see page -): reduction sleeves.
- TCC-KS (see page -): clamping kit.
- TCC-KV (see page -): screws and clamping nuts.
- GN 990 (see page -): connecting tubes.



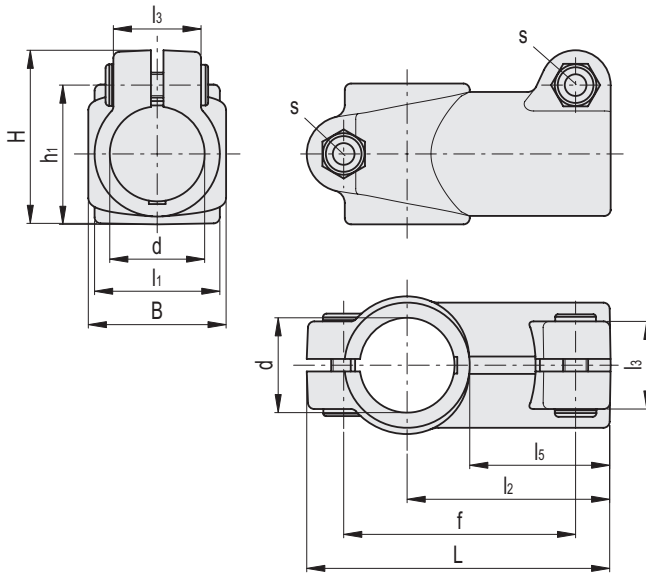
ELESA Original design



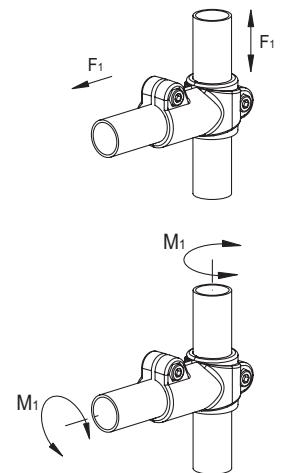
TCC-KS-ERX



TCC-KS-EWN



C9 RAL9005 C33 RAL7040



STAINLESS STEEL

Code	Description	d	L	B	H	f	h1	l1	l2	l3	l5	s	C# [Nm]	F1* [N]	M1** [Nm]	
600151-C9	TCC-TS-18-18-C9	18	65	29	35	49	27	26.5	43.5	20.5	30.5	M6	5	1450	14	42
600151-C33	TCC-TS-18-18-C33	18	65	29	35	49	27	26.5	43.5	20.5	30.5	M6	5	1450	14	42
600251-C9	TCC-TS-30-30-C9	30	96	44	55.5	74	44	40.5	64.5	28	45.5	M8	12	1650	17	113
600251-C33	TCC-TS-30-30-C33	30	96	44	55.5	74	44	40.5	64.5	28	45.5	M8	12	1650	17	113

Suggested torque for screw assembly.

* Resistance to tube pull out

** Resistance to tube rotation