

Two-way connector clamps

Aluminium / multi part assembly / unequal bore dimensions d_1 / s_1 and d_2 / s_2

SPECIFICATION

Identification No.

No. **2**: with 4 Stainless Steel-Clamping screws DIN 912

Aluminium

plastic coated

black, RAL 9005, textured finish **SW**

blank

matt shot-blasted **BL**

Clamping bores not machined

Cap screws DIN 912

Stainless Steel AISI 304

Hexagon nuts DIN 985

Stainless Steel AISI 304



INFORMATION

The clamping bores of GN 135 two-way connector clamps are not machined and specially designed for construction tubes GN 990 (see page 1902) or DIN 2391, DIN 2395 and DIN 2462 respectively. The square designs are also suitable for use in **profile systems**.

The bore holes and squares must be put together such that an adaptation between different tube cross-sections is possible.

The standard clamping screws are socket cap screws DIN 912. They can be replaced by adjustable clamping kits GN 911 (see page 1874) (article code see table of dimensions).

ACCESSORY

- Clamping kits GN 911 (see page 1874)

ON REQUEST

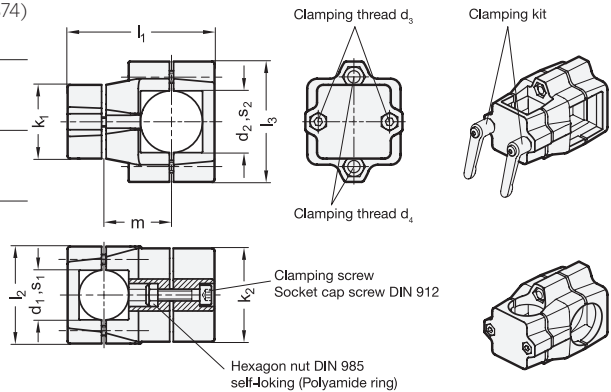
- other bores and square combinations d_1 / s_1 and d_2 / s_2

TECHNICAL INFORMATION

- Stainless Steel characteristics (see page A26)

* Complete with colour index of the Two-way connector clamps (SW or BL)

SW **BL**
RAL9005 blank



GN 135

Description	d_1	s_1	d_2	s_2	k_1	k_2	d_3	d_4	l_1	l_2	l_3	m	Clamping kits for d_3	Clamping kits for d_4	⚖
GN 135-B30-B40-60-2-*	B 30	-	B 40	-	60	76	M 8	M 10	120	79	98	55	GN 911-M8-55	GN 911-M10-55	500
GN 135-B30-B48-60-2-*	B 30	-	B 48	-	60	76	M 8	M 10	120	79	98	55	GN 911-M8-55	GN 911-M10-55	486
GN 135-B30-B50-60-2-*	B 30	-	B 50	-	60	76	M 8	M 10	120	79	98	55	GN 911-M8-55	GN 911-M10-55	479
GN 135-B40-B48-60-2-*	B 40	-	B 48	-	60	76	M 8	M 10	120	79	98	55	GN 911-M8-55	GN 911-M10-55	461
GN 135-B40-B50-60-2-*	B 40	-	B 50	-	60	76	M 8	M 10	120	79	98	55	GN 911-M8-55	GN 911-M10-55	454
GN 135-B30-V40-60-2-*	B 30	-	-	V 40	60	76	M 8	M 10	120	79	98	55	GN 911-M8-55	GN 911-M10-55	900
GN 135-B30-V50-60-2-*	B 30	-	-	V 50	60	76	M 8	M 10	120	79	98	55	GN 911-M8-55	GN 911-M10-55	599
GN 135-B40-V50-60-2-*	B 40	-	-	V 50	60	76	M 8	M 10	120	79	98	55	GN 911-M8-55	GN 911-M10-55	800
GN 135-V30-V40-60-2-*	-	V 30	-	V 40	60	76	M 8	M 10	120	79	98	55	GN 911-M8-55	GN 911-M10-55	900
GN 135-V30-V50-60-2-*	-	V 30	-	V 50	60	76	M 8	M 10	120	79	98	55	GN 911-M8-55	GN 911-M10-55	750
GN 135-V40-V50-60-2-*	-	V 40	-	V 50	60	76	M 8	M 10	120	79	98	55	GN 911-M8-55	GN 911-M10-55	750
GN 135-V30-B40-60-2-*	-	V 30	B 40	-	60	76	M 8	M 10	120	79	98	55	GN 911-M8-55	GN 911-M10-55	600
GN 135-V30-B48-60-2-*	-	V 30	B 48	-	60	76	M 8	M 10	120	79	98	55	GN 911-M8-55	GN 911-M10-55	479
GN 135-V30-B50-60-2-*	-	V 30	B 50	-	60	76	M 8	M 10	120	79	98	55	GN 911-M8-55	GN 911-M10-55	450
GN 135-V40-B48-60-2-*	-	V 40	B 48	-	60	76	M 8	M 10	120	79	98	55	GN 911-M8-55	GN 911-M10-55	447
GN 135-V40-B50-60-2-*	-	V 40	B 50	-	60	76	M 8	M 10	120	79	98	55	GN 911-M8-55	GN 911-M10-55	830

Weight BL