

## Solid handwheels for position indicators

### Duroplast

#### MATERIAL

High-strength, reinforced phenolic based (PF) Duroplast, black colour, glossy finish.

#### INDICATOR HOUSING

SC-XX (see page 715) made out of glass-fibre reinforced polyamide based (PA) technopolymer, black colour, matte finish.

#### REVOLVING HANDLE

I.301+x (see page 574) made out of Duroplast, black colour, glossy finish.

#### STANDARD EXECUTION

Black-oxide steel hub, not drilled.

See table for the values of max d diameter and max p depth for drilling.

#### INDICATOR CHOICE (TO BE ORDERED SEPARATELY)

VDN-XX solid handwheels can be used with analogue gravity indicators GA05 (on page 694).

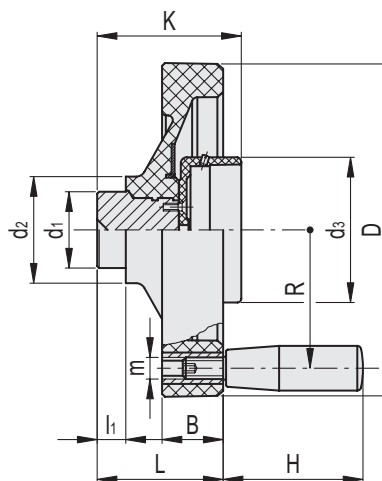
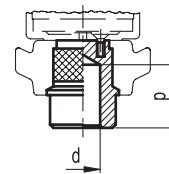
See also "Assembly instructions" for gravity indicators (on page 690).

#### SPECIAL EXECUTIONS ON REQUEST

Execution with hand reset: the indicator reading can be reset in any position within the positioning range, so that further readings can be referred to the reset point. To reset the reading turn the indicator housing until the two pointers reach the zero position, by keeping the indicator body still. By so doing the relevant position (phase) between the indicator and the handwheel can be changed by a small effort, but enough to avoid any accidental phase displacement.



ELESA Original design



Code	Description	D	L	d <sub>max</sub>	p <sub>max</sub>	d <sub>1</sub>	d <sub>2</sub>	d <sub>3</sub>	l <sub>1</sub>	B	K	H	m	R	⚖
CE.32121	VDN.250-GXX5+I	249	76	34	25	49	70	122	15	36	86	90	M10	106	2100
CE.32126	VDN.300-GXX5+I	301	87	42	35	58	82	122	18	36	98	90	M10	132	3138
CE.32131	VDN.350-GXX5+I	350	92	42	35	58	90	122	18	38	98	102	M10	157	4243

