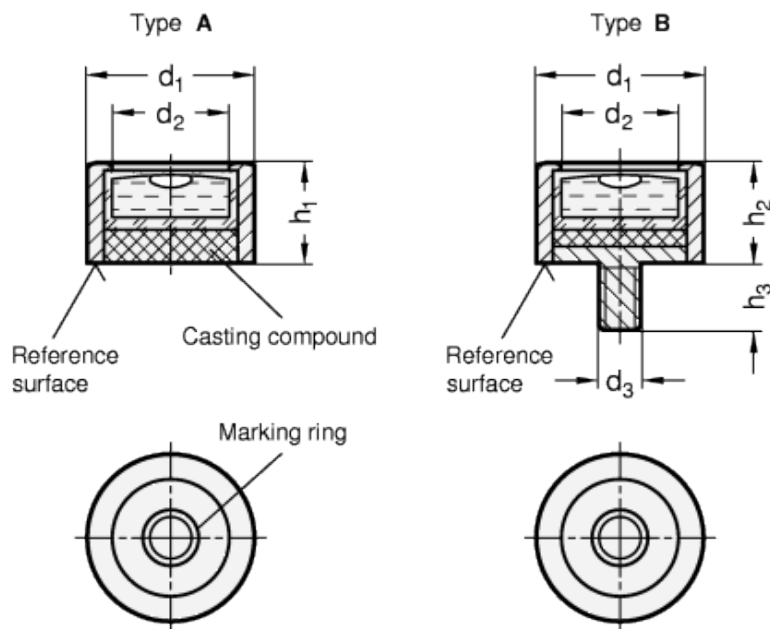


# GN 2279

Bull's eye levels



technical informations

## Specification

Sensitivity

30 Angle minutes, bubble move by 2 mm

Type

Type A: with smooth reference surface

Type B: with mounting thread

Housing

Aluminium  
 anodized, natural colour ALN  
 anodized, black ALS

Spirit level element  
 Glass plastic body  
 Filling  
 colourless-transparent K

Casting compound  
 mineral-based

*Information*

Bull's eye levels GN 2279 for surface mounting are used to check the horizontal position of jigs, machines, devices, appliances and instruments.

Type A is used if the spirit level is to be used as a tool, e.g. at different measuring points.

The air levels are aligned in relation to the reference surface such that the bubble is located inside the marking ring once the vertical position of the contact surface is reached.

*On request*

- Filling, green-transparent
- Other sensitivities
- Housing in brass or Stainless Steel

Standard Elements	Main dimensions						Weight
	Description	d <sub>1</sub>	d <sub>2</sub>	d <sub>3</sub>	h <sub>1</sub>	h <sub>2</sub>	
GN 2279-ALN-14-K-30-A	14	10	-	7.7	-	-	2
GN 2279-ALS-14-K-30-A	14	10	-	7.7	-	-	2
GN 2279-ALN-20-K-30-A	20	14	-	13	-	-	4
GN 2279-ALS-20-K-30-A	20	14	-	13	-	-	4
GN 2279-ALN-30-K-30-A	30	21	-	15	-	-	7
GN 2279-ALS-30-K-30-A	30	21	-	15	-	-	7
GN 2279-ALN-14-K-30-B	14	10	M 4	-	9.5	5	2
GN 2279-ALS-14-K-30-B	14	10	M 4	-	9.5	5	2
GN 2279-ALN-20-K-30-B	20	14	M 5	-	13	6	4
GN 2279-ALS-20-K-30-B	20	14	M 5	-	13	6	4
GN 2279-ALN-30-K-30-B	30	21	M 6	-	15	7.5	7
GN 2279-ALS-30-K-30-B	30	21	M 6	-	15	7.5	7



STANDARD MACHINE ELEMENTS WORLDWIDE