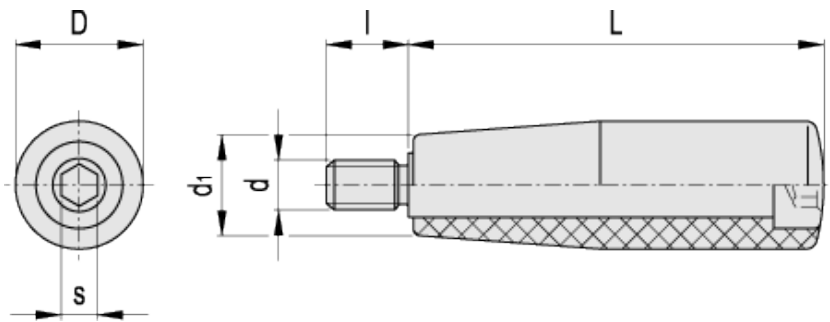


I.281 + x-SST

Revolving handles



technical informations

Material

Phenolic based (PF) Duroplast. Resistant to solvents, oils, greases and other chemical agents.

Colour

Black, glossy finish.

Assembly

AISI 304 stainless steel shank, cylindrical-head with hexagon socket.

Standard Elements		Main dimensions			Threaded shank			Weight
Code	Description	L	D	d ₁	d _{6g}	l	s	g
22312	I.281/40+x-M6-SST	40	18	15	M6	13	4	28
22412	I.281/50+x-M8-SST	50	21	17	M8	15	5	52
22513	I.281/65+x-M8-SST	65	23	19	M8	17	6	87
22514	I.281/65+x-M10-SST	65	23	19	M10	17	6	91
22612	I.281/80+x-M10-SST	80	26	21	M10	18	6	133
22712	I.281/90+x-M10-SST	90	28	22	M10	18	8	172

22813	I.281/100+x-M12-SST	102	31	25	M12	20	8	247
22814	I.281/100+x-M14-SST	102	31	25	M14	20	8	250



ELESA and GANTER models all rights reserved in accordance with the law. Always mention the source when reproducing our drawings.

STANDARD MACHINE ELEMENTS WORLDWIDE