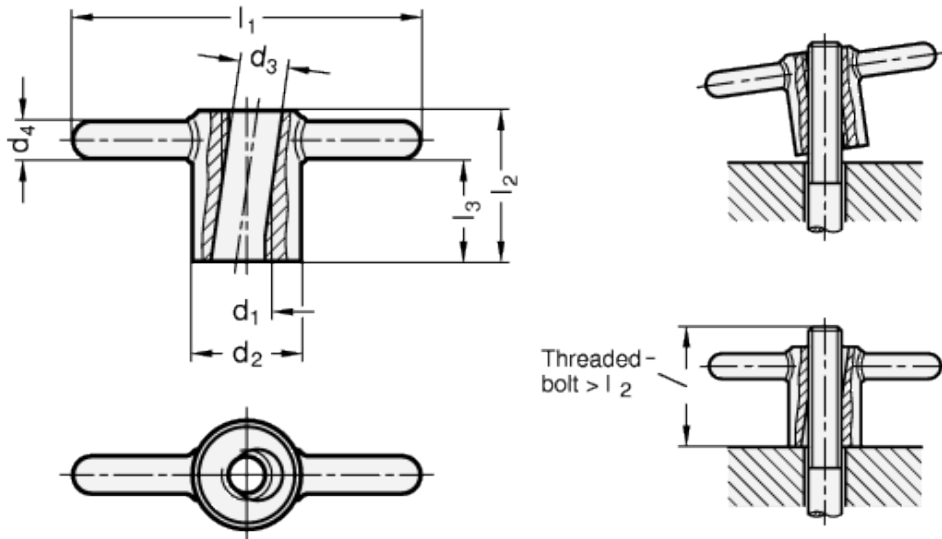


# GN 6305.1

Quick release toggle nuts



## technical informations

### Material

Zinc-plated steel, blue passivated.

### Toogle

But-welded.

*Accessories on request*

Stainless steel.

*Features and applications*

Quick release toggle nuts GN 6305.1 are used in such applications where the knob has to be completely removed after the releasing operation and refitted rapidly for re-clamping.

Plug the toggle nut onto the threaded bolt at an oblique angle. During the clamping action, it engages into the threads of the bolt.

Standard Elements	Main dimensions					Mounting hole		Weight
Description	d <sub>2</sub>	d <sub>3</sub>	d <sub>4</sub>	l <sub>1</sub> -	l <sub>3</sub> -	d <sub>1</sub>	l <sub>2</sub>	g
GN 6305.1-M10-ST	24	10.5	8	68	20	M10	30	100
GN 6305.1-M12-ST	26	13	9	82	24.5	M12	36	138
GN 6305.1-M16-ST	32	17	10	98	32	M16	45	240



ELESA and GANTER models all rights reserved in accordance with the law. Always mention the source when reproducing our drawings.

STANDARD MACHINE ELEMENTS WORLDWIDE