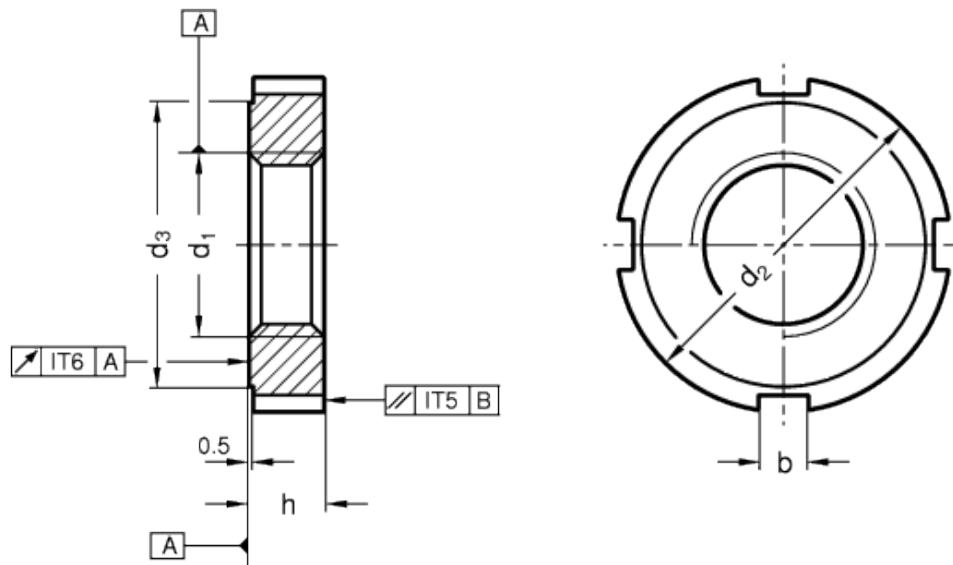


# DIN 1804-NI

Slotted locknuts



INOX  
Stainless Steel



## technical informations

### Material

AISI 303 Stainless steel WNI , not hardened, not grounded.

*Special executions on request (For sufficient quantities)*

Supplied with other sizes up to M200x3.

*Accessories on request*

C-Spanner DIN 1810 (code no. see table).

*Features and applications*

On slotted locknuts DIN 1804 the ground surface d<sub>3</sub> stands proud and should be used as a mating surface.  
 Sizes M45x1.5 to M60x1.5 have 6 slots.

Standard Elements	Main Dimensions					Weight	C-Spanner
Description	d <sub>1</sub>	d <sub>2</sub>	d <sub>3</sub>	b	h <sub>h14</sub>	g	
DIN 1804-M16x1.5-WNI	M16x1.5	32	27	5	7	30	DIN 1810-A30-32
DIN 1804-M20x1.5-WNI	M20x1.5	36	30	6	8	38	DIN 1810-A34-36
DIN 1804-M24x1.5-WNI	M24x1.5	42	36	6	9	60	DIN 1810-A40-42
DIN 1804-M28x1.5-WNI	M28x1.5	50	43	7	10	98	DIN 1810-A45-50
DIN 1804-M30x1.5-WNI	M30x1.5	50	43	7	10	92	DIN 1810-A45-50
DIN 1804-M35x1.5-WNI	M35x1.5	55	48	7	11	120	DIN 1810-A52-55
DIN 1804-M40x1.5-WNI	M40x1.5	62	54	8	12	140	DIN 1810-A58-62
DIN 1804-M45x1.5-WNI	M45x1.5	68	60	8	12	175	DIN 1810-A68-75
DIN 1804-M50x1.5-WNI	M50x1.5	75	67	8	13	235	DIN 1810-A68-75
DIN 1804-M55x1.5-WNI	M55x1.5	80	70	10	13	240	DIN 1810-A80-90
DIN 1804-M60x1.5-WNI	M60x1.5	90	80	10	13	330	DIN 1810-A80-90



STANDARD MACHINE ELEMENTS WORLDWIDE