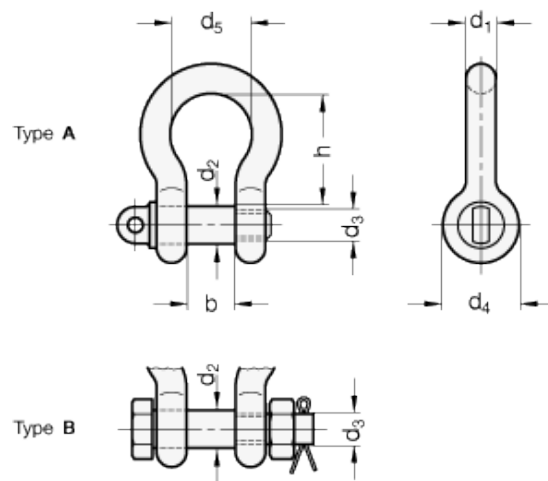


# GN 585

Shackles



## technical informations

### Ring bracket

Heat-treatable steel, die-forged. Hot-dip galvanised.

### Bolt

Heat-treatable steel, die-forged.  
Galvanic zinc-plated, lacquered.

### Standard versions available

- Type A: with stud bolt.
- Type B: bolt with nut and split pin.

### Features and applications

High-strength, straight shackles GN 585 are made in analogy with the US Federal Specification RR-C-271 and feature sixfold safety standards, which means that the minimum failure load is at least six times greater than the value of the nominal load (WLL). The cranked shape is particularly suitable for applications where the shackles are exposed to multiple loads. The rated size and the nominal load (WLL) are drop-forged into the shackle which makes it easier to select the proper sling

gear. In general, the nominal load must not be exceeded.

The designs with nut and split pin (Type B) are normally recommended for permanent connections. The bolts are allowed to rotate, and the nuts are secured against inadvertent loosening with a split pin.

Operating instructions with more details and specifications are included with every delivery.

Standard Elements	Nominal size		Main dimensions						Nominal load (WLL)	Weight g
	Description	d <sub>1</sub>	in inch	b ±1	d <sub>2</sub> ±0.5	d <sub>3</sub> *	d <sub>4</sub>	d <sub>5</sub>		
GN 585-6-A	6	1/4	12	8	5/16	17	19	28	0.5 t [0.5 kN]	50
GN 585-8-A	8	5/16	13	10	3/8	21	21	31	0.75 t [7.5 kN]	100
GN 585-10-A	10	3/8	16	12	7/16	26	26	36	1.0 t [10.0 kN]	190
GN 585-11-A	11	7/16	18	14	1/2	28	29	42	1.5 t [15.0 kN]	300
GN 585-13-A	13	1/2	21	16	5/8	30	33	48	2.0 t [20.0 kN]	350
GN 585-16-A	16	5/8	27	20	3/4	42	43	60	3.25 t [32.5 kN]	650
GN 585-19-A	19	3/4	32	22	7/8	48	51	71	4.75 t [47.5 kN]	1040
GN 585-22-A	22	7/8	36	27	1	57	58	84	6.5 t [65.0 kN]	1200
GN 585-25-A	25	1	43	28	1 1/8	62	68	95	8.5 t [85.0 kN]	2360
GN 585-6-B	6	1/4	12	8	5/16	17	19	28	0.5 t [5.0 kN]	60
GN 585-8-B	8	5/16	13	10	3/8	21	21	31	0.75 t [7.5 kN]	110
GN 585-10-B	10	3/8	16	12	7/16	26	26	36	1.0 t [10.0 kN]	160
GN 585-11-B	11	7/16	18	14	1/2	28	29	42	1.5 t [15.0 kN]	220
GN 585-13-B	13	1/2	21	16	5/8	30	33	48	2.0 t [20.0 kN]	405
GN 585-16-B	16	5/8	27	20	3/4	42	43	60	3.25 t [32.5 kN]	646
GN 585-19-B	19	3/4	32	22	7/8	48	51	71	4.75 t [47.5 kN]	1050
GN 585-22-B	22	7/8	36	27	1	57	58	84	6.5 t [65.0 kN]	1320
GN 585-25-B	25	1	43	28	1 1/8	62	68	95	8.5 t [85.0 kN]	2340

\* in general, the bolts and screws are threaded as specified. Variances are possible, however.



STANDARD MACHINE ELEMENTS WORLDWIDE