

VCTS-Z-SST

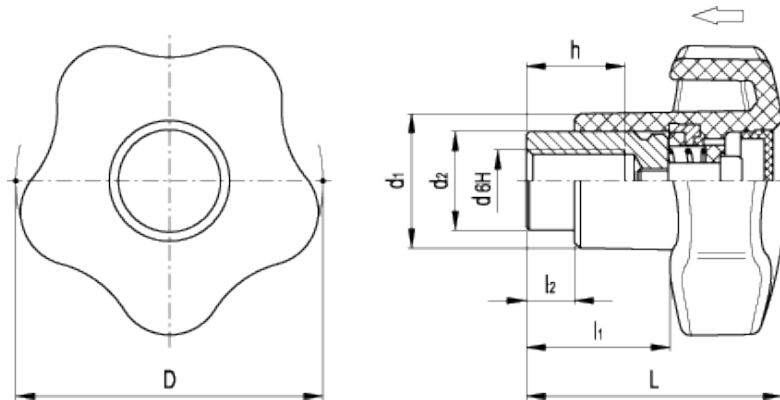
Adjustable lobe knobs
with push action



ELESA Original design



INOX
Stainless Steel



technical informations

Knob

Glass-fibre reinforced polyamide based (PA) technopolymer. Resistant to solvents, oils, greases and other chemical agents. Built-in zinc alloy toothed insert for coupling to the metal clamping element.

Colour

Black, matte finish.

Centre cap

Black technopolymer centre cap. On request and for sufficient quantities, it can be supplied in yellow RAL 1021 (safety) or in other colours, with customised graphic symbols, marks or writings.

Clamping element

AISI 303 stainless steel with threaded bore and toothed element for coupling to the built-in zinc alloy insert, stainless steel retaining screw and AISI 302 stainless steel return spring.

Features and applications

Particularly suitable where the knob needs to turn freely to avoid that clamping may be accidentally affected. AISI 303 stainless steel, thanks to its high resistance to corrosion, allows the application of these knobs on machines and equipment in those sectors where laws or particular hygienic, climatic and environmental factors make it mandatory to use corrosion resistant materials.

Instructions

Press the knob to engage the toothing and turn it.
By releasing the knob the spring releases the toothing, thus the knob returns to the rest position.

Ergonomy and design

The particular design of this knob follows rigorous ergonomic standards: five-lobe shape, blended radius, well proportioned rim height offer a natural, safe and comfortable grip, allowing the operator to obtain a strong clamping action.

Standard Elements		Main dimensions						Mounting hole		Teeth no.	Weight
Code	Description	D	L	d ₁	d ₂	l ₁	l ₂	d	h	z	g
169651	VCTS-Z-40-SST-M6	40	37	18	13.5	22	7	M6	10	24	36
169652	VCTS-Z-40-SST-M8	40	37	18	13.5	22	7	M8	10	24	34
169662	VCTS-Z-50-SST-M8	50	42	22	16	23	8	M8	14	26	54
169663	VCTS-Z-50-SST-M10	50	42	22	16	23	8	M10	14	26	52



STANDARD MACHINE ELEMENTS WORLDWIDE