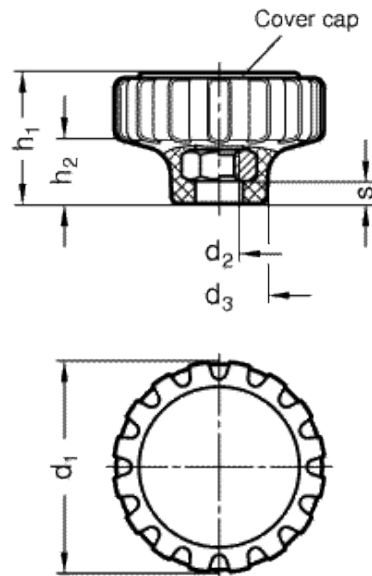


GN 7336-NI

Knurled knobs



INOX
Stainless Steel



technical informations

Material

Plastic, polyamide based (PA) technopolymer, glas fibre reinforced, temperature resistant up to 130 °C.

Threaded bush

AISI 304 stainless steel NI.

Cover cap

Light grey, matte.

Special executions on request (For sufficient quantities)

- Knurled knobs GN 7336-NI with nut threaded insert.
- Cover caps in different colours.
- Cover caps with printed lettering.

Features and applications

Knurled knobs GN 7336-NI distinguish an attractive design in combination with closed shape (no recess on the underside of the handles).

The threaded inserts are standard hexagonal nuts or hexagonal screws which are press-fitted in mechanically.

Standard Elements	Main dimensions					Mounting hole		Weight
Description	d ₁	d ₃	h ₁	h ₂	max. threaded depth	d ₂	s	g
GN 7336-34-M6-NI	34	16	20	10.5	19	M6	5	15
GN 7336-42-M8-NI	42	19	25	13	24	M8	5	20
GN 7336-53-M10-NI	53	24	31	16	30	M10	5	41



STANDARD MACHINE ELEMENTS WORLDWIDE