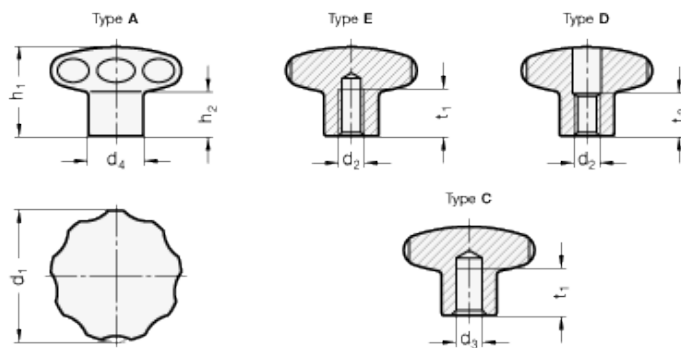


# GN 5335.4

Lobe knobs



**INOX**  
Stainless Steel



## technical informations

### Specification

Type

- Type A: without bore
- Type E: with threaded blind bore
- Type D: with threaded through bore
- Type C: with plain blind bore H7

Stainless Steel AISI 316L (A4)  
matt shot-blasted

### Informations

Stainless Steel-Star knobs GN 5335.4 are a special development intended for the food processing machinery industry. The smooth and enclosed areas as well as the large corner radii comply with the requirements of hygiene standards.

Standard Elements	Main dimensions				Mounting hole				Weight
Description	d <sub>1</sub>	d <sub>2</sub>	d <sub>3</sub> H7	d <sub>4</sub>	h <sub>1</sub>	h <sub>2</sub>	t <sub>1</sub> min.	t <sub>2</sub>	g
GN 5335.4-40-A	40	-	B 8	30.5	15	15	-	-	130
GN 5335.4-50-A	50	-	B 10	21	34	17	-	-	220
GN 5335.4-60-A	60	-	B 12	25	39	18	-	-	388

GN 5335.4-40-B8-C	40	-	B 8	18	30.5	-	15	-	125
GN 5335.4-50-B10-C	50	-	B 10	21	34	-	18	-	205
GN 5335.4-60-B12-C	60	-	B 12	25	39	-	22	-	366
GN 5335.4-40-M6-D	40	M 6	-	18	30.5	-	-	13	132
GN 5335.4-40-M8-D	40	M 8	-	18	30.5	-	-	13	150
GN 5335.4-50-M8-D	50	M 8	-	21	34	-	-	16	225
GN 5335.4-50-M10-D	50	M10	-	21	34	-	-	16	237
GN 5335.4-60-M10-D	60	M 10	-	25	39	-	-	20	360
GN 5335.4-60-M12-D	60	M 12	-	25	39	-	-	20	366
GN 5335.4-40-M6-E	40	M 6	-	18	30.5	-	12	-	132
GN 5335.4-40-M8-E	40	M 8	-	18	30.5	-	15	-	150
GN 5335.4-50-M8-E	50	M 8	-	21	34	-	15	-	225
GN 5335.4-50-M10-E	50	M 10	-	24	34	-	18	-	237
GN 5335.4-60-M10-E	60	M 10	-	25	39	-	18	-	360
GN 5335.4-60-M12-E	60	M 12	-	25	39	-	22	-	366



ELESA and GANTER models all rights reserved in accordance with the law. Always mention the source when reproducing our drawings.

**STANDARD MACHINE ELEMENTS WORLDWIDE**