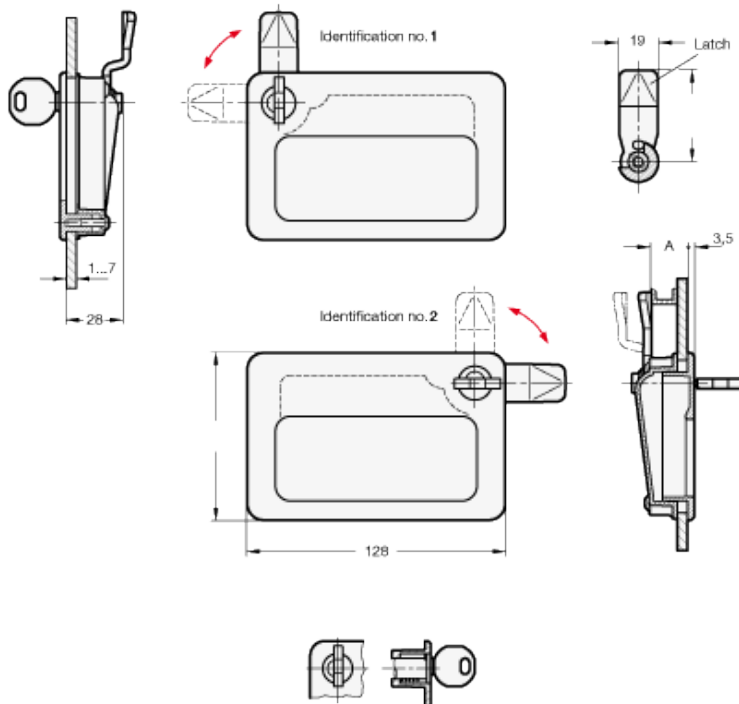


GN 115.10

Latches with gripping tray



technical informations

Specification

Type

- Type SC: Operation with key (same lock)
- Type SU: Operation with with key (different lock)

Identification no.

- Version 1: Operation in standard mounting position, at the top left
- Version 2: Operation in standard mounting position, at the top right

Front frame

Zinc die casting
plastic coated

black, RAL 9005, textured finish SW

silver, RAL 9006, textured finish SR

Tray
Plastic
- black grey (for SW)
- light grey (for SR)

Key
Nickel silver with plastic hand piece

other parts
Steel
zinc plated, blue passivated

Information

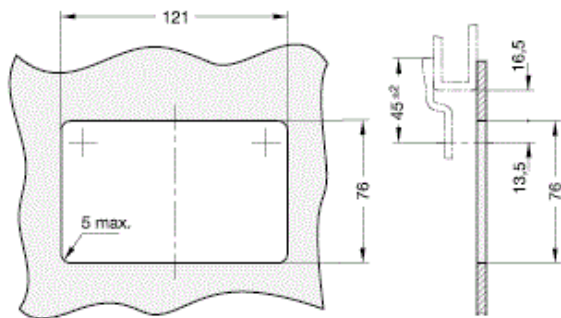
Latches with gripping tray GN 115.10 are used in applications which require a moulded recess in addition to the latching mechanism, e.g. if operating elements are not allowed to protrude for reasons of space.

A rotary movement limited to 90°, e.g. of the three-edged wedge in type DK, moves the latch behind the frame, with the run-up bevels at the latch making it easier to close the door.

Latches with 22 different cranks cover a latch distance A from 4 to 50 mm. Latches GN 115.10 are supplied with loosely enclosed locking.

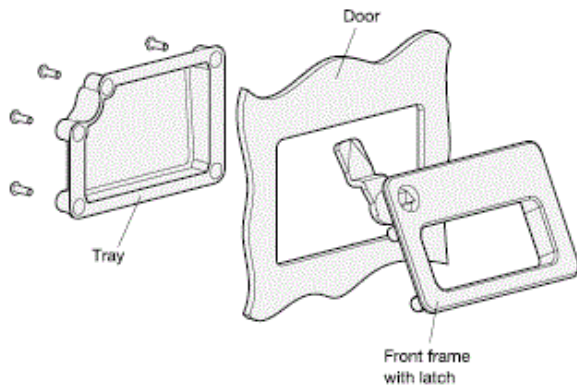
Accessory
- Keys GN 119.2

Construction and assembly instructions



Before assembly, a nick must be made in the door as shown in the drawing below.

Depending on position of the latch, the 16,5 mm edge spacing between frame and nick must be ensured sideways and / or top and bottom to make sure that the latch is positioned behind the frame.

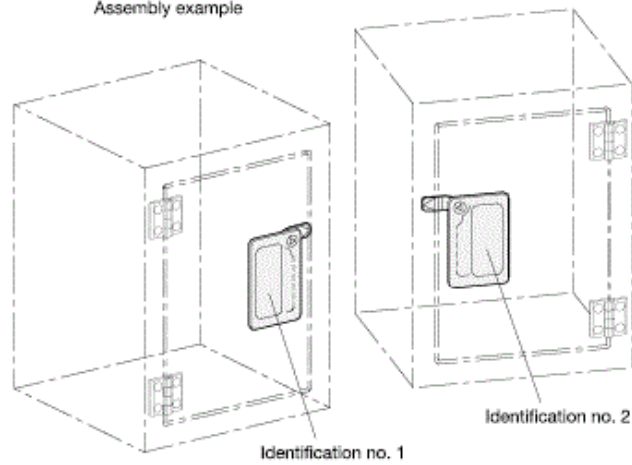


For the assembly, insert the front frame together with the pre-assembled latch from the front through the nick of the door by tilting.

Place the plastic tray from the back onto the bore pegs of the front frame.

The M4x12 fillister-head screws included are then screwed in from the rear and tightened to fix and wedge the whole unit in place. The minimum screw-in depth of the screw is guaranteed with a maximum door wall thickness of 7 mm.

Assembly example



Standard Elements	Main dimensions	Weight
Description	A	g
GN 115.10-* -4-1-SW	4	-
GN 115.10-* -4-1-SR	4	-
GN 115.10-* -6-1-SW	6	-
GN 115.10-* -6-1-SR	6	-
GN 115.10-* -8-1-SW	8	-
GN 115.10-* -8-1-SR	8	-
GN 115.10-* -10-1-SW	10	-
GN 115.10-* -10-1-SR	10	-
GN 115.10-* -13-1-SW	13	-
GN 115.10-* -13-1-SR	13	-
GN 115.10-* -14-1-SW	14	-
GN 115.10-* -14-1-SR	14	-
GN 115.10-* -16-1-SW	16	-
GN 115.10-* -16-1-SR	16	-
GN 115.10-* -18-1-SW	18	-
GN 115.10-* -18-1-SR	18	-
GN 115.10-* -20-1-SW	20	-
GN 115.10-* -20-1-SR	20	-
GN 115.10-* -22-1-SW	22	-
GN 115.10-* -22-1-SR	22	-
GN 115.10-* -24-1-SW	24	-
GN 115.10-* -24-1-SR	24	-
GN 115.10-* -26-1-SW	26	-
GN 115.10-* -26-1-SR	26	-
GN 115.10-* -28-1-SW	28	-
GN 115.10-* -28-1-SR	28	-
GN 115.10-* -30-1-SW	30	-
GN 115.10-* -30-1-SR	30	-
GN 115.10-* -32-1-SW	32	-
GN 115.10-* -32-1-SR	32	-
GN 115.10-* -34-1-SW	34	-

GN 115.10-* -34-1-SR	34	-
GN 115.10-* -36-1-SW	36	-
GN 115.10-* -36-1-SR	36	-
GN 115.10-* -38-1-SW	38	-
GN 115.10-* -38-1-SR	38	-
GN 115.10-* -40-1-SW	40	-
GN 115.10-* -40-1-SR	40	-
GN 115.10-* -42-1-SW	42	-
GN 115.10-* -42-1-SR	42	-
GN 115.10-* -45-1-SW	45	-
GN 115.10-* -45-1-SR	45	-
GN 115.10-* -50-1-SW	50	-
GN 115.10-* -50-1-SR	50	-
GN 115.10-* -4-2-SW	4	-
GN 115.10-* -4-2-SR	4	-
GN 115.10-* -6-2-SW	6	-
GN 115.10-* -6-2-SR	6	-
GN 115.10-* -8-2-SW	8	-
GN 115.10-* -8-2-SR	8	-
GN 115.10-* -10-2-SW	10	-
GN 115.10-* -10-2-SR	10	-
GN 115.10-* -13-2-SW	13	-
GN 115.10-* -13-2-SR	13	-
GN 115.10-* -14-2-SW	14	-
GN 115.10-* -14-2-SR	14	-
GN 115.10-* -16-2-SW	16	-
GN 115.10-* -16-2-SR	16	-
GN 115.10-* -18-2-SW	18	-
GN 115.10-* -18-2-SR	18	-
GN 115.10-* -20-2-SW	20	-
GN 115.10-* -20-2-SR	20	-
GN 115.10-* -22-2-SW	22	-
GN 115.10-* -22-2-SR	22	-
GN 115.10-* -24-2-SW	24	-
GN 115.10-* -24-2-SR	24	-
GN 115.10-* -26-2-SW	26	-
GN 115.10-* -26-2-SR	26	-
GN 115.10-* -28-2-SW	28	-
GN 115.10-* -28-2-SR	28	-
GN 115.10-* -30-2-SW	30	-
GN 115.10-* -30-2-SR	30	-
GN 115.10-* -32-2-SW	32	-
GN 115.10-* -32-2-SR	32	-
GN 115.10-* -34-2-SW	34	-
GN 115.10-* -34-2-SR	34	-

GN 115.10-* -36-2-SW	36	-
GN 115.10-* -36-2-SR	36	-
GN 115.10-* -38-2-SW	38	-
GN 115.10-* -38-2-SR	38	-
GN 115.10-* -40-2-SW	40	-
GN 115.10-* -40-2-SR	40	-
GN 115.10-* -42-2-SW	42	-
GN 115.10-* -42-2-SR	42	-
GN 115.10-* -45-2-SW	45	-
GN 115.10-* -45-2-SR	45	-
GN 115.10-* -50-2-SW	50	-
GN 115.10-* -50-2-SR	50	-

*Complete the description of the standard item needed by adding SC (Operation with key, same lock) or SU (Operation with key, different lock).



STANDARD MACHINE ELEMENTS WORLDWIDE